

777 | 888

IC: Door & Drawer Cabinet Locks for Schlage Full-Size Cores



ANSI/BHMA Grade 1
E07121 | E07041
Woodwork Institute (WI)
acknowledged product

SPECIFICATIONS

ANSI/BHMA: Passed ANSI/BHMA A156.11 Grade 1 performance requirements. Equivalent to E07121 (777ICP) / E07041 (888ICP)

Body: Zinc die cast

Cylinder length: 1-7/16"

Barrel diameter: 1-1/8"

Finish: 26D, US3 or 10B

Packaged: Packed 10 per box

CYLINDER INFORMATION

Cylinder: Not included

Accepts: Schlage large format/full-size IC cylinders

- Schlage Quad, Numbered Section, and Schlage Classic IC cores
- Schlage Primus® and Everest large format IC cores
- Mul-T-Lock large format IC cores

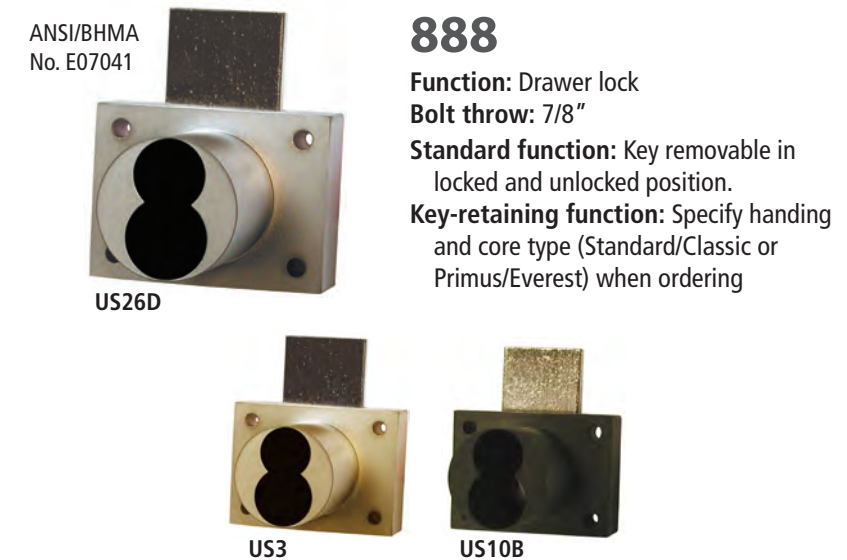
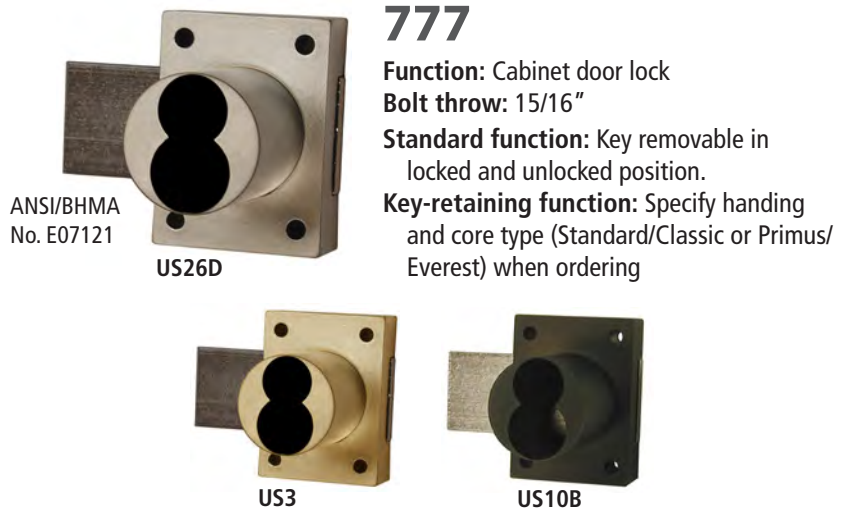
Compatible electronic cylinders: VIDEX CyberLock LFIC cylinders

INCLUDED ACCESSORIES

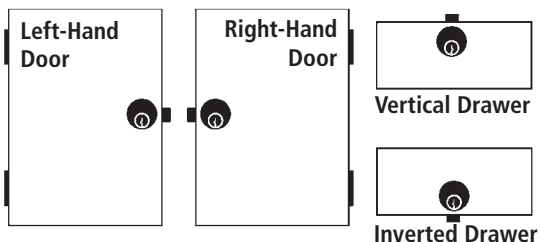
- 7788-PA-D actuator to operate lock without core
- 10-350 plastic spacers (qty 3)
- 10-054 1/4" plastic bar strike
- 10-055 1/2" plastic bar strike

OPTIONAL ACCESSORIES

- Spacers:** 10-350 (1/8" thick), 10-348 (1/4" thick), 10-349 (1/2" thick)
- Strikes:** 10-052, 10-056, 10-057, 10-058, 12-2, 12-3, 12-4
- Trim ring:** TR78
- Through-bolt hardware:** ETS1/ETS4/ETS5 trim plate, ETS1-PL trim pull and ETST1 template



HANDING CHART



INCLUDED ACCESSORIES



OLYMPUS
LOCK, INC.
The cabinet lock innovators.

IC: Door & Drawer Cabinet Locks for Schlage Full-Size Cores

OPTIONAL ACCESSORIES

Internal Plastic Spacers

- 10-350 1/8" thick plastic spacers
- 10-348 1/4" thick plastic spacers
- 10-349 1/2" thick plastic spacers

Strikes

- Plastic bar strikes: 10-054, 10-055, 10-057, 10-058.
- Metal strikes: 10-056 12-1, 12-2, 12-3, 12-4

Trim Ring

- TR78 trim ring



Through-Bolt Mounting Plate

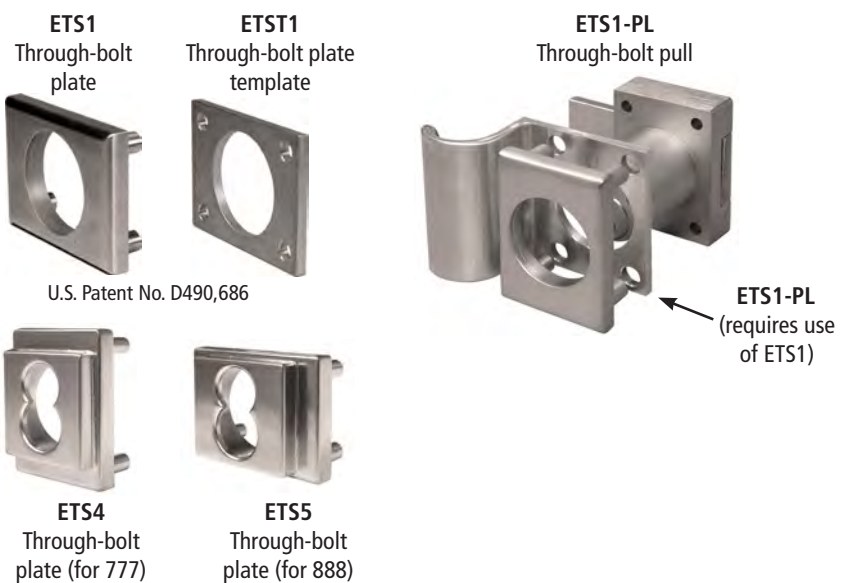
External metal 1/8" or 1/4" through-bolt plate allows for secure and attractive flush mounting of the cabinet lock face. Available in US3 or US26D finish.

- ETS1-125 through-bolt plate, 1/8" thick
- ETS1-250 through-bolt plate, 1/4" thick
- ETS4 through bolt plate for 777, 1/2" thick
- ETS5 through bolt plate for 888, 1/2" thick

Through-Bolt Mounting Plate Template

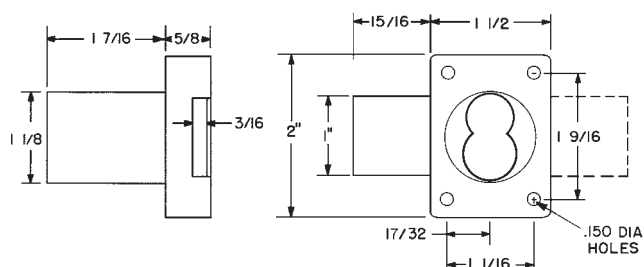
Allows for proper mounting hole placement of through-bolt plate. Can be used as a 1/8" shim spacer. Available in US3 and US26D finish.

- ETST2 through-bolt plate template



DIMENSIONS

777 Cabinet Door Lock



888 Drawer Lock

